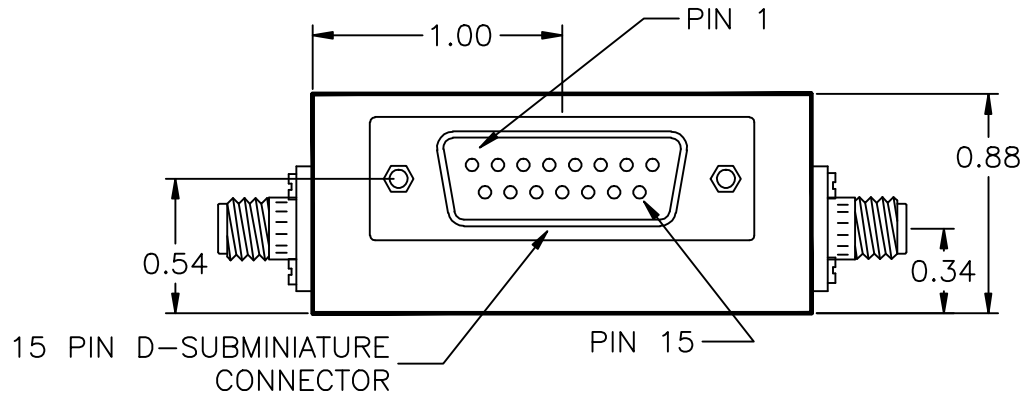


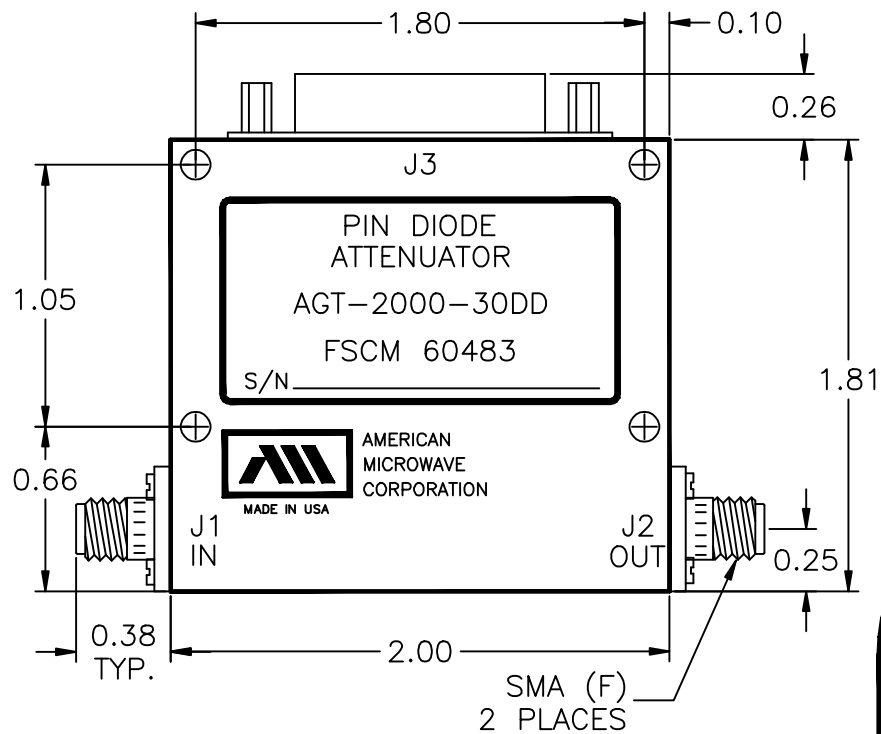
DESCRIPTION

AMC MODEL AGT-2000-30DD IS A BROAD BAND VARIABLE ATTENUATOR/ MODULATOR, CONTROLLED BY 8 BIT POSITIVE TRUE BINARY LOGIC.

REVISIONS				
ZONE	REV.	DESCRIPTION	DATE	APPROVED
	-	ORIGINAL RELEASE JOB# 609170N	11/07/06	



MECHANICAL OUTLINE



ALL DIMENSIONS ARE IN INCHES
TOLERANCES:
X.XX ±0.020
X.XXX ±0.010

AMERICAN MICROWAVE CORPORATION

7311-G GROVE ROAD
FREDERICK, MARYLAND 21704 USA
TEL: 301-662-4700 FAX: 301-662-4938
WEBSITE: www.americamicrowavecorp.com
E-MAIL: sales@americamicrowavecorp.com
ISO 9001:2000 CERTIFIED



APPROVALS		DATE	TITLE		
DRAWN <i>PRB</i>		11/07/06	MECHANICAL OUTLINE AGT-2000-30DD OPTIONS: 950M2, 006 PROGRAMMABLE VARIABLE ATTENUATOR		
REDRAWN			SIZE	FSCM NO.	DWG NO.
ISSUED			A	60483	100-3127-005
			SCALE	N:S	SHEET 2 OF 4

DESCRIPTION

AMC MODEL AGT-2000-30DD IS A BROAD BAND VARIABLE ATTENUATOR/MODULATOR, CONTROLLED BY 8 BIT POSITIVE TRUE BINARY LOGIC.

SPECIFICATIONS

- FREQUENCY RANGE 950 MHz - 2.15 GHz MINIMUM
- INSERTION LOSS 3.5 dB MAXIMUM
- ATTENUATION FLATNESS (± dB MAXIMUM)

0-15 dB	±0.5 dB	MAXIMUM
15-20 dB	±1.0 dB	MAXIMUM
20-25 dB	±1.5 dB	MAXIMUM
25-30 dB	±2.0 dB	MAXIMUM
- ATTENUATION ACCURACY

0-10 dB	±2.0 dB	MAXIMUM
10-20 dB	±1.0 dB	MAXIMUM
20-30 dB	±1.5 dB	MAXIMUM
- RISE TIME 3uSec MAXIMUM
- FALL TIME 3uSec MAXIMUM
- SWITCHING TIME ON: 25uSec OFF: 10uSec
- VSWR 2.0:1 MAXIMUM , 1.75 TYPICAL (@ 0dB ATTENUATION)
- RF POWER RATINGS

OPERATING	+10 dBm CW MAXIMUM
	+20 dBm TYPICAL
SURVIVAL	+30 dBm CW MAXIMUM
- CONTROL 8 BIT TRUE BINARY LOGIC
- POWER SUPPLY

	+12VDC @ 250 mA MAXIMUM
	(210 mA TYPICAL)
	-12VDC @ 50 mA MAXIMUM
	(30 mA TYPICAL)
- CONNECTORS

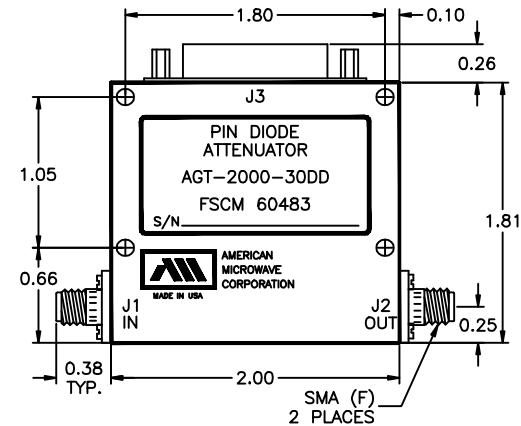
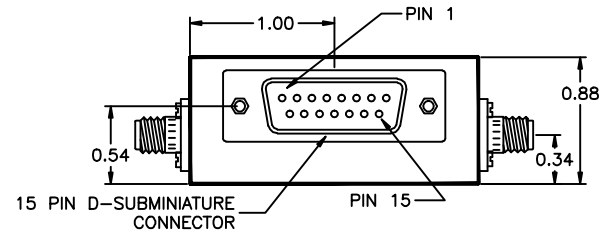
RF INPUT/OUTPUT	SMA FEMALE
POWER AND CONTROLS	15 PIN D-SUBMINIATURE (MALE) MATING CONNECTOR FURNISHED
- SIZE 2.00" x 1.81" x 0.88"

OPTIONS:

- 950M2 FREQUENCY RANGE 950MHz TO 2.15GHz
- 006 0-30 DB RANGE

NOTE: SPECIFICATIONS WILL VARY OVER OPERATING TEMPERATURE
NOTE: THE ABOVE SPECIFICATIONS ARE SUBJECT TO CHANGE OR REVISION

REVISIONS				
ZONE	REV.	DESCRIPTION	DATE	APPROVED
-	-	ORIGINAL RELEASE	JOB# 609170N	11/07/06



8 BIT TRUE BINARY LOGIC	
J3 PIN FUNCTIONS	
PIN NO.	FUNCTIONS.
1	GND
2	N/C *
3	N/C *
4	GND
5	0.25 dB (LSB)
6	0.5 dB
7	1.0 dB
8	2.0 dB
9	4.0 dB
10	8.0 dB
11	16.0 dB
12	32.0 dB
13	+V
14	-V
15	N/C *

* N/C = NO CONNECTION

ENVIRONMENTAL RATINGS

- TEMPERATURE -55°C TO +125°C (OPERATING)
-65°C TO +125°C (STORAGE)
- HUMIDITY MIL-STD-202F, METHOD 103B COND. B
- SHOCK MIL-STD-202F, METHOD 213B COND. B
- VIBRATION MIL-STD-202F, METHOD 204D COND. B
- ALTITUDE MIL-STD-202F, METHOD 105C COND. B
- TEMPERATURE CYCLE MIL-STD-202F, METHOD 107D COND. A

AMERICAN MICROWAVE CORPORATION

7311-G GROVE ROAD
FREDERICK, MARYLAND 21704 USA
TEL: 301-662-4700 FAX: 301-662-4938
WEBSITE: www.americanmicrowavecorp.com
E-MAIL: sales@americanmicrowavecorp.com
ISO 9001:2000 CERTIFIED



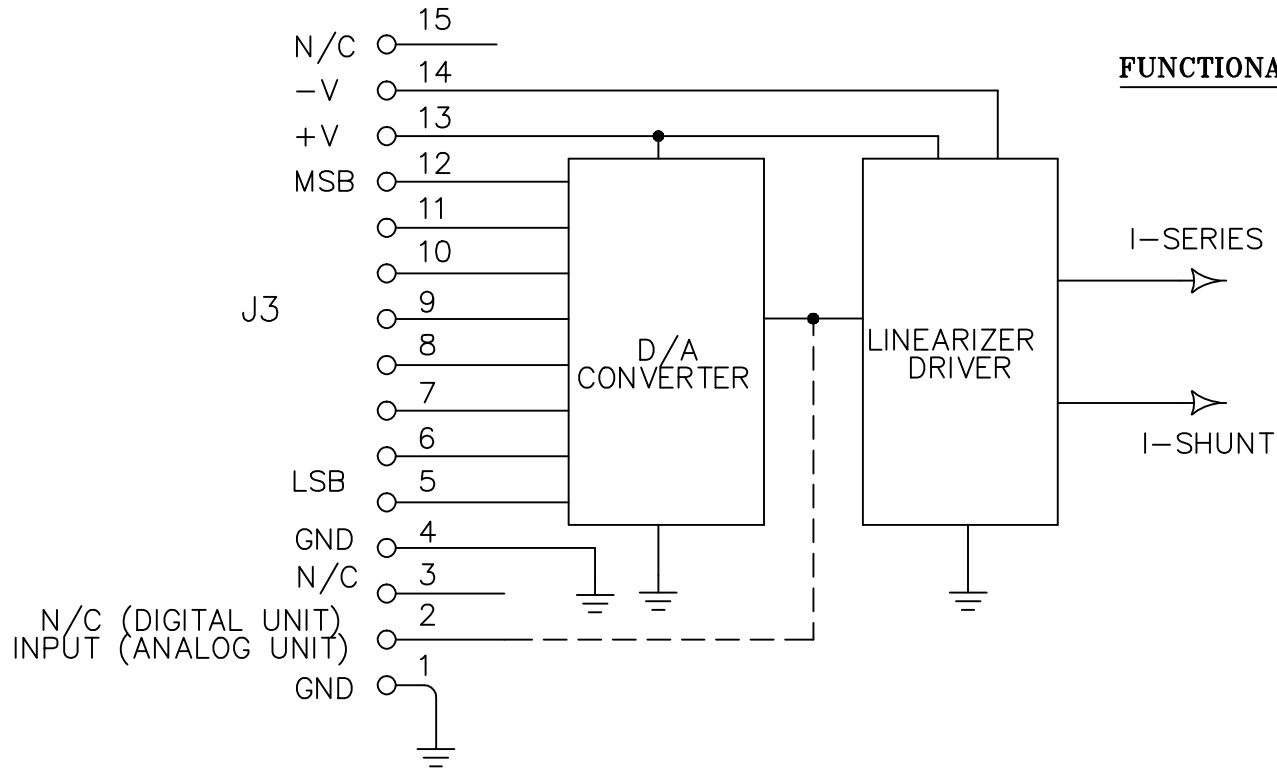
APPROVALS		DATE	TITLE		
DRAWN		11/07/06	PRODUCT FEATURE		
REDRAWN			AGT-2000-30DD		
ISSUED			OPTIONS: 950M2, 006		
			PROGRAMMABLE VARIABLE ATTENUATOR		
SIZE	FSCM NO.	DWG NO.	REV.		
A	60483	100-3127-005	-		
SCALE N:S		SHEET		1 OF 4	

ALL DIMENSIONS ARE IN INCHES
TOLERANCES:
X.XX ±0.020
X.XXX ±0.010
WEIGHT: APPROX. 4.0 oz.

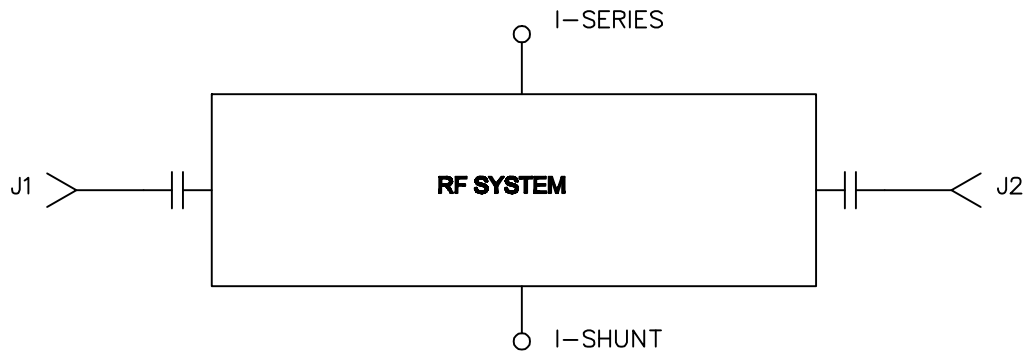
DESCRIPTION

AMC MODEL AGT-2000-30DD IS A BROAD BAND VARIABLE ATTENUATOR/
MODULATOR, CONTROLLED BY 8 BIT POSITIVE TRUE BINARY LOGIC.

REVISIONS				
ZONE	REV.	DESCRIPTION	DATE	APPROVED
	-	ORIGINAL RELEASE JOB# 609170N	11/07/06	



FUNCTIONAL BLOCK DIAGRAM



CONFIDENTIAL AND PROPRIETARY

AMERICAN MICROWAVE CORPORATION

7311-G GROVE ROAD
FREDERICK, MARYLAND 21704 USA
TEL: 301-662-4700 FAX: 301-662-4938
WEBSITE: www.americanmicrowavecorp.com
E-MAIL: sales@americanmicrowavecorp.com
ISO 9001:2000 CERTIFIED



APPROVALS		DATE		TITLE		
DRAWN <i>PRB</i>		11/07/06		FUNCTIONAL BLOCK DIAGRAM AGT-2000-30DD		
REDRAWN				OPTIONS: 950M2, 006		
ISSUED				PROGRAMMABLE VARIABLE ATTENUATOR		
SIZE	FSCM NO.	DWG NO.	REV.			
A	60483	100-3127-005	-			
SCALE N:S				SHEET 3 OF 4		